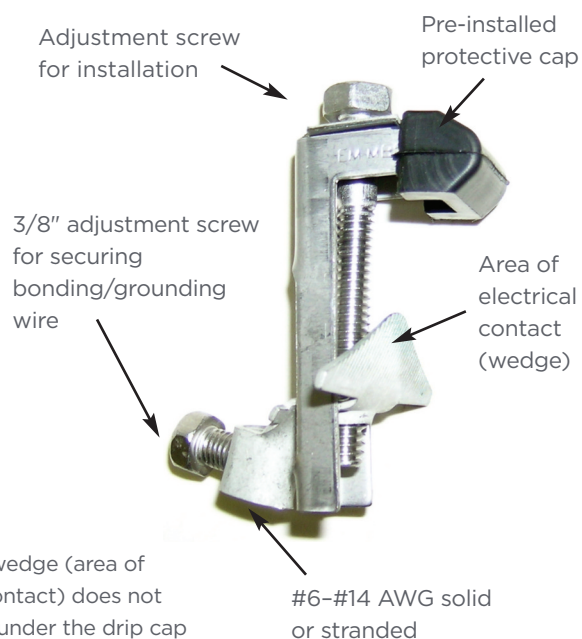
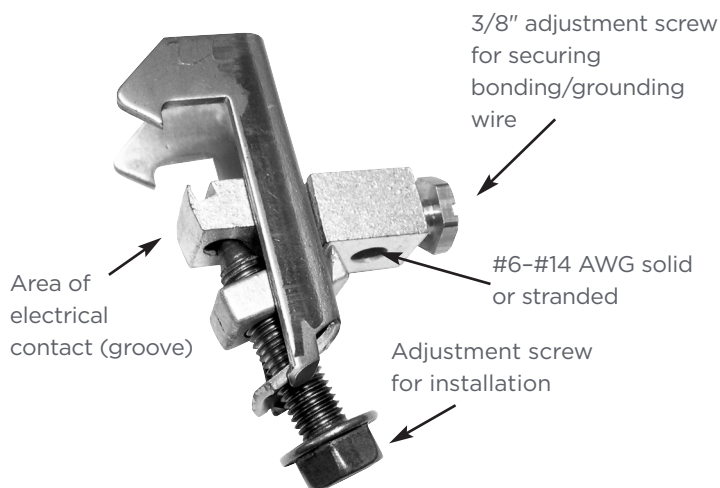


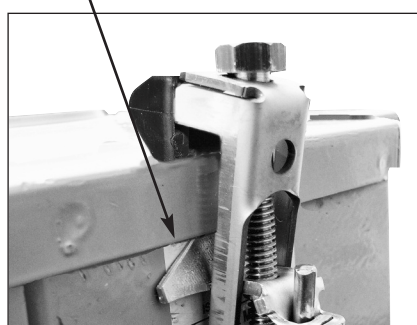
# METER BOX GROUND CLAMPS



The entire wedge (area of electrical contact) does not need to be under the drip cap of the meter box.



EMBB4



EM132-EH-01

## INSTALLATION AND APPLICATION

- Always install on the side of the meter box.
- Install between the weld points.
- Tools required: Standard 3/8" and 7/16" wrenches.